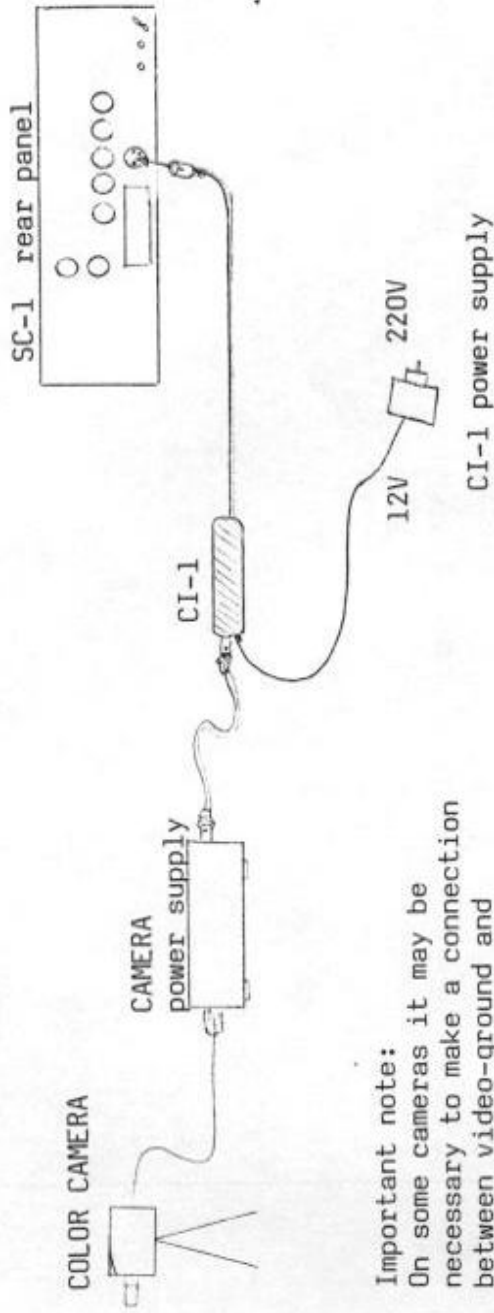


CI-1 PAL COLOR CAMERA INTERFACE

Connection information

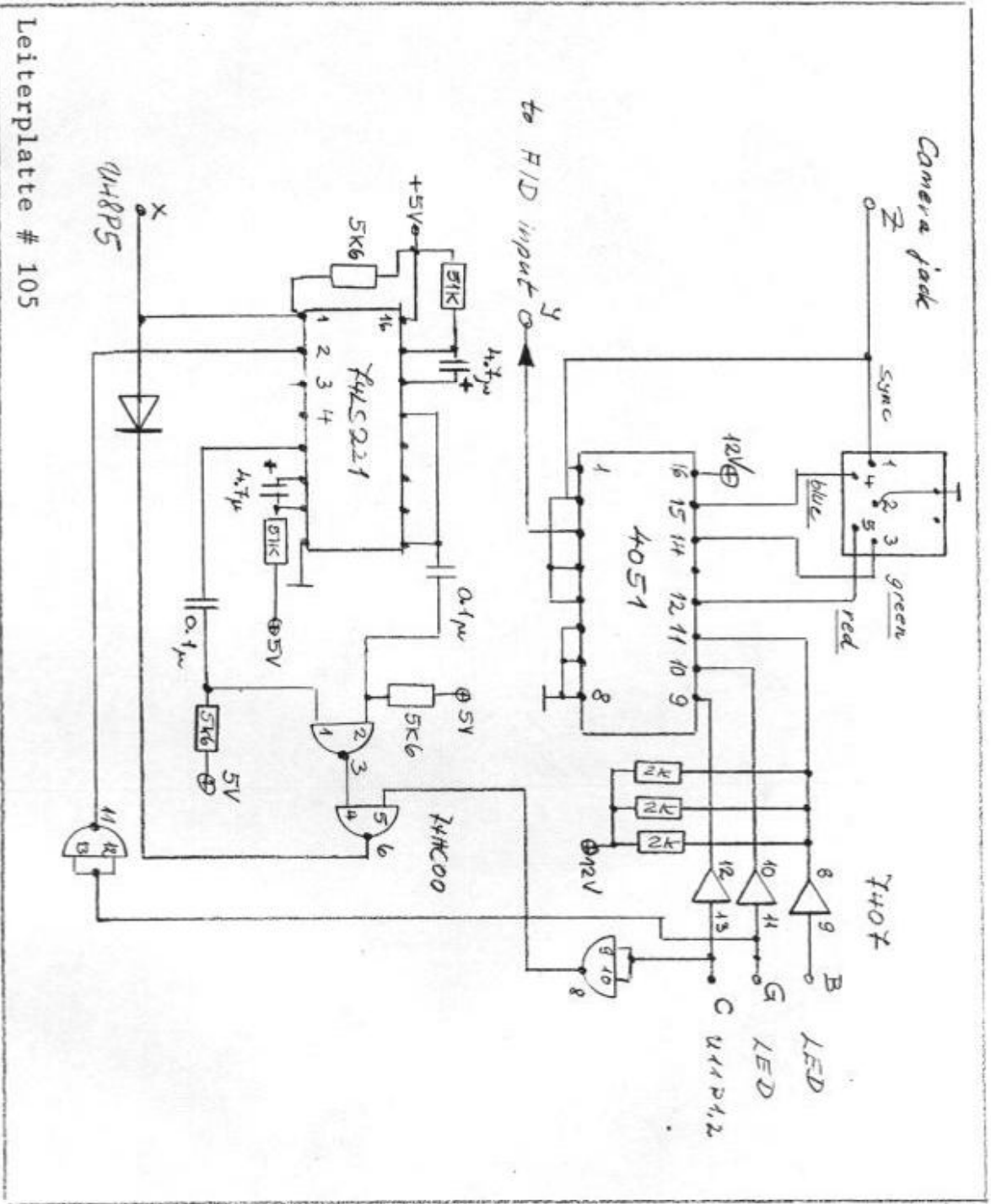
Anschlußhinweise



Important note:
On some cameras it may be necessary to make a connection between video-ground and audio-ground for proper operation.

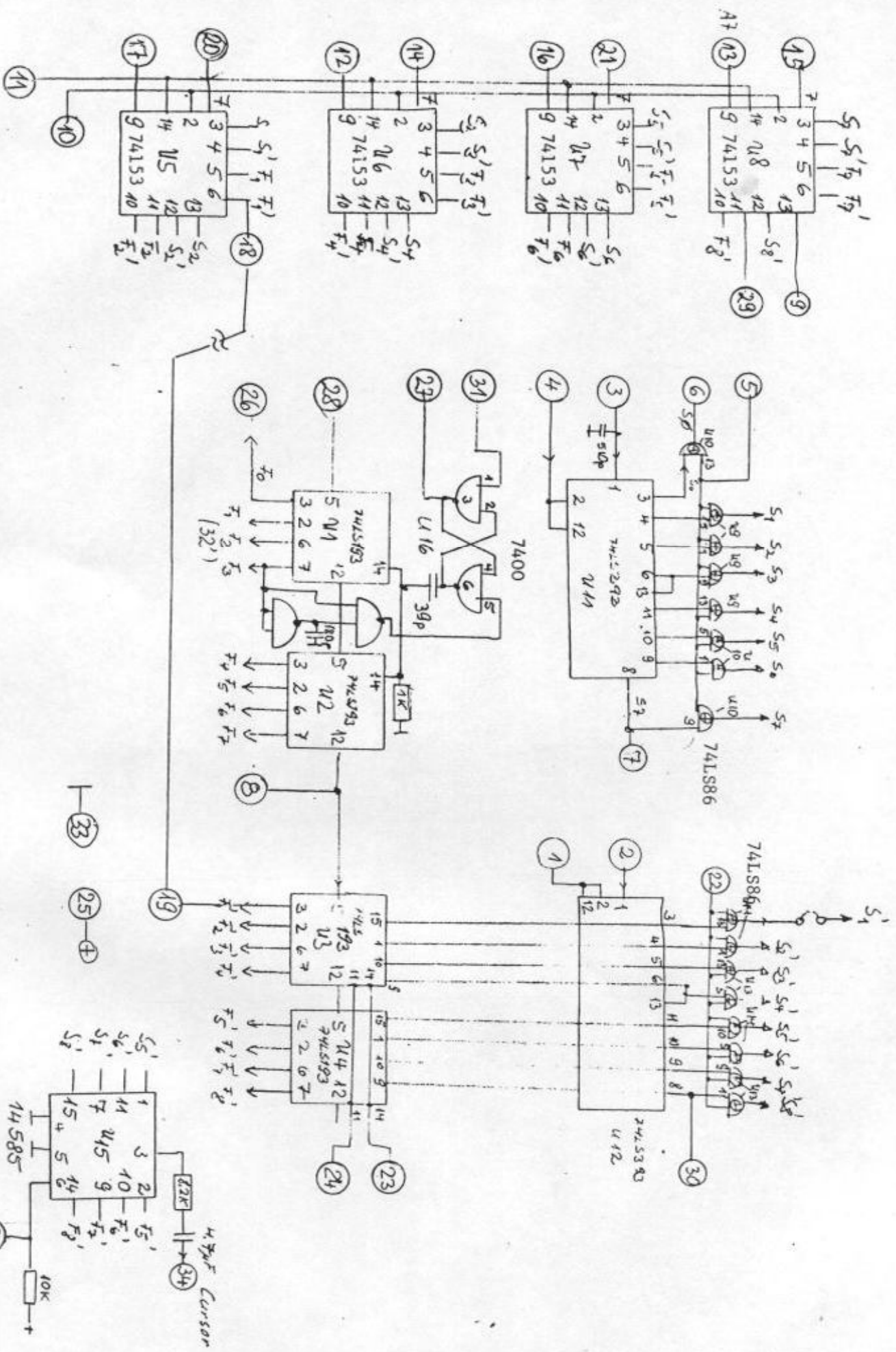
Wichtiger Hinweis:

Bei einigen Kameras kann es erforderlich sein, eine Drahtverbindung zwischen Video-Masse und Audio-Masse zu legen, um eine einwandfreie Funktion zu gewährleisten.



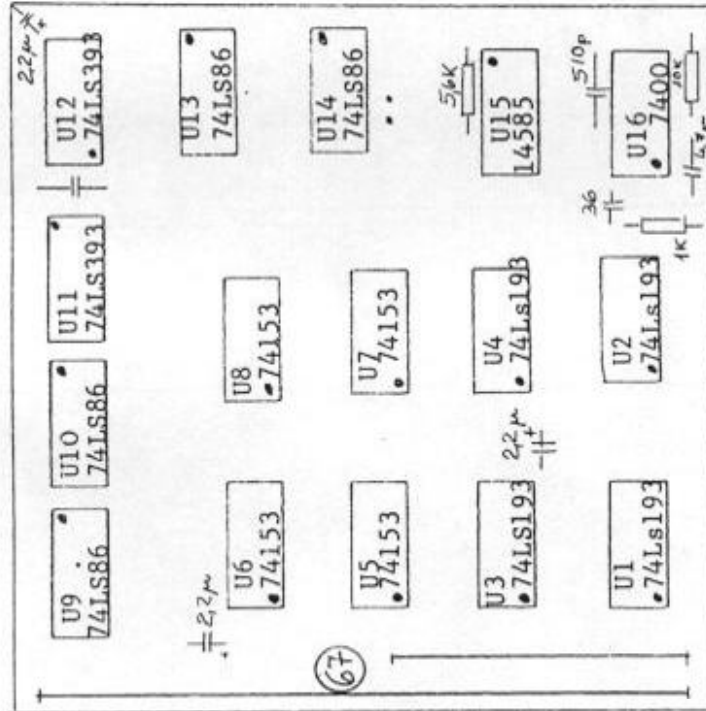
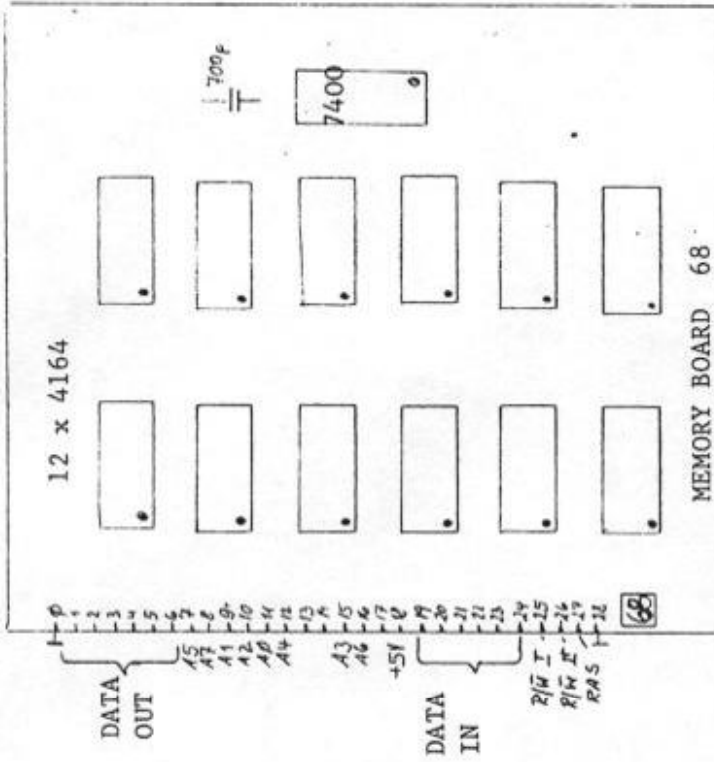
Leiterplatte # 105

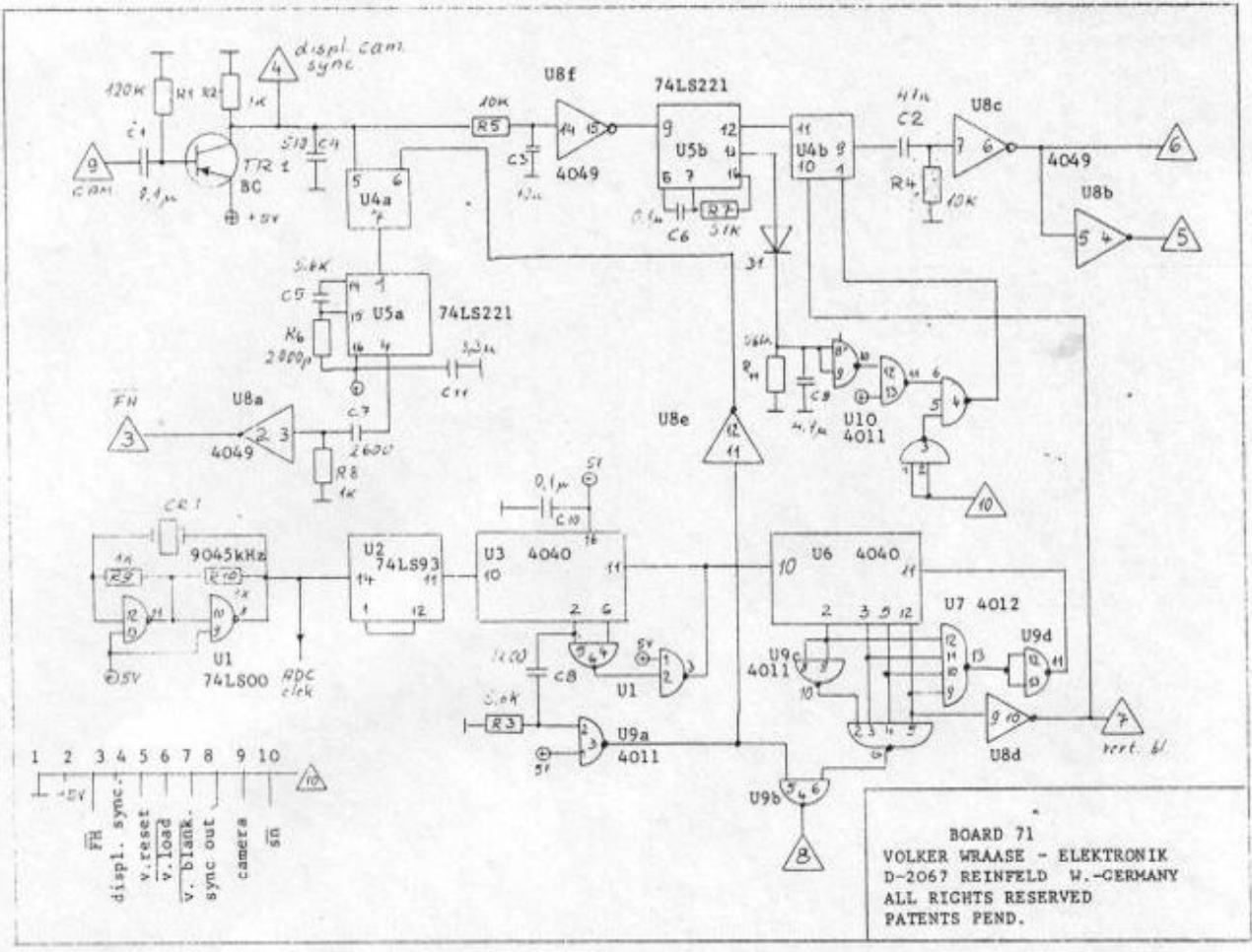
Zusatzplatine für CI-1 PAL-COLOR-INTERFACE



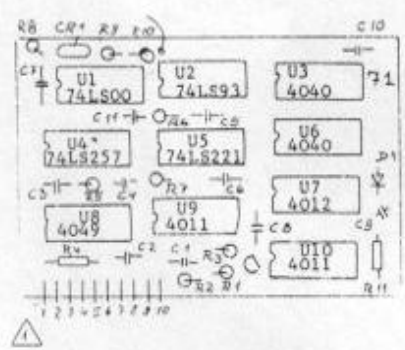
BOARD 67

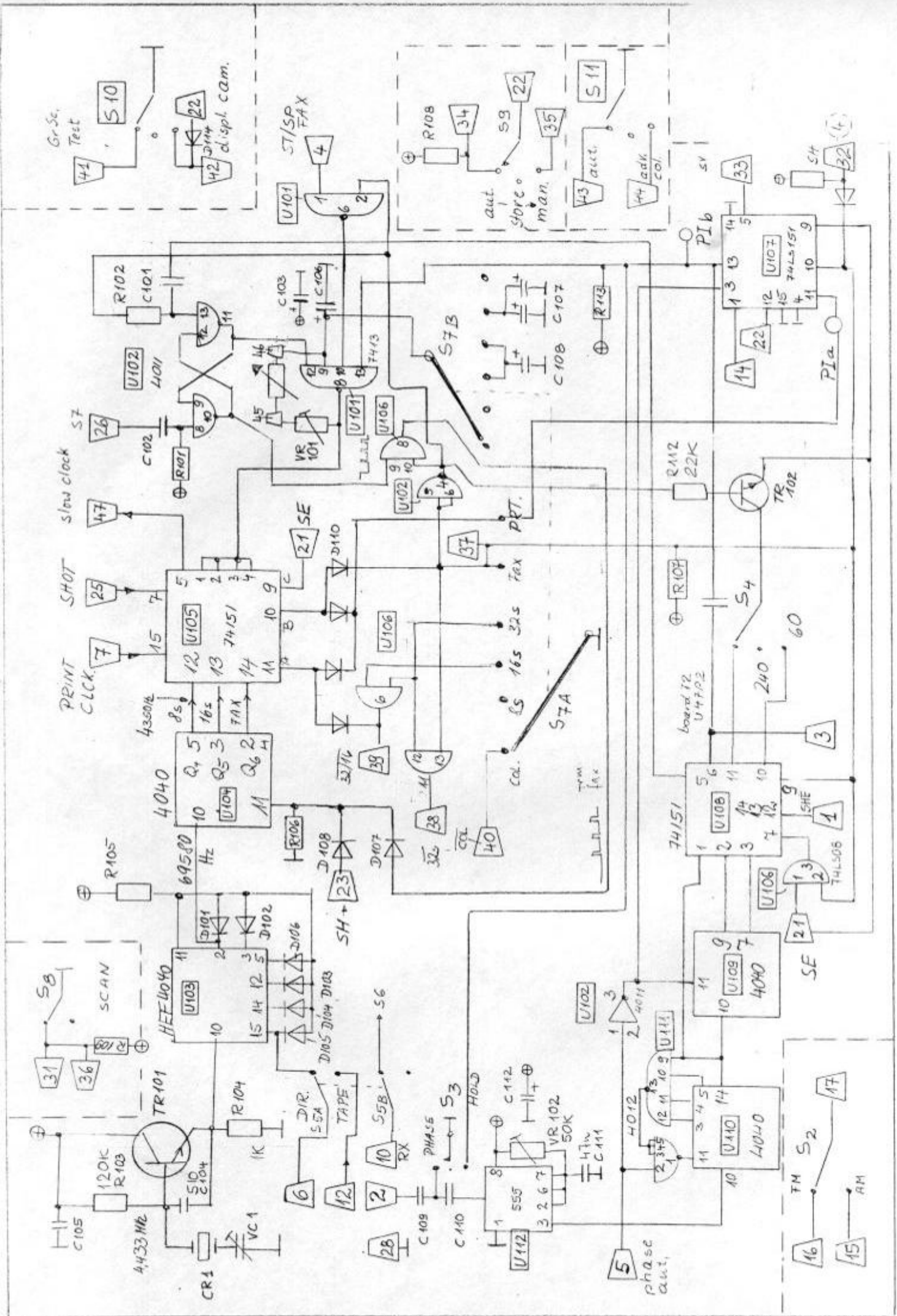
ALL RIGHTS RESERVED, PATENTS PEND., VOLKER WRAASE - ELEKTRONIK, REINFELD, W.-GERMANY 9/1983

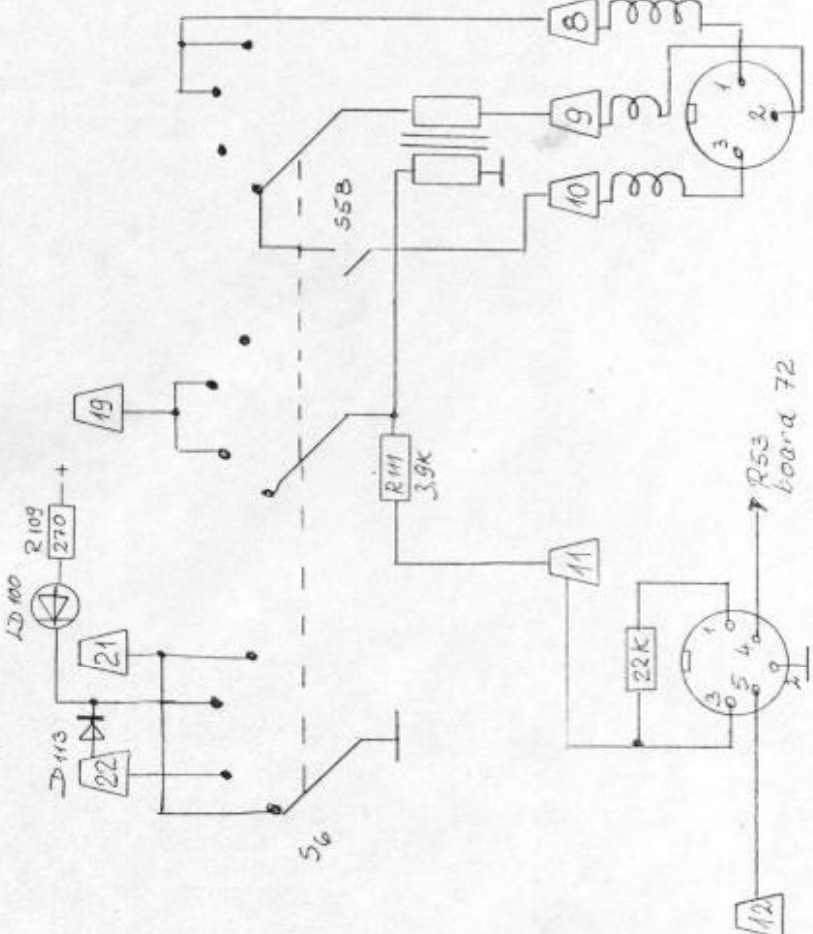
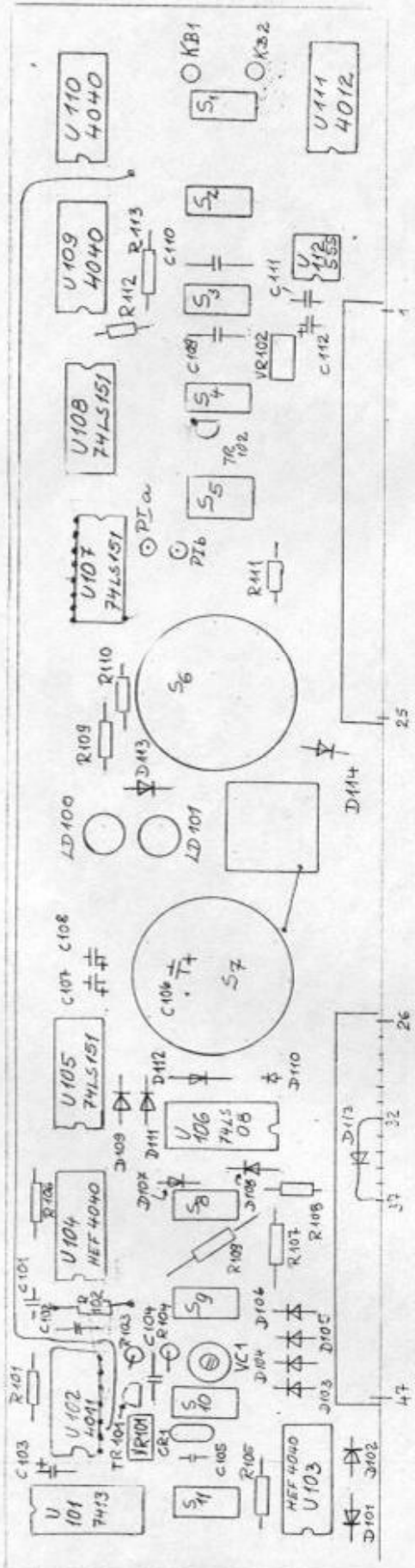




BOARD 71
 VOLKER WRAASE - ELEKTRONIK
 D-2067 REINFELD W.-GERMANY
 ALL RIGHTS RESERVED
 PATENTS PENDING





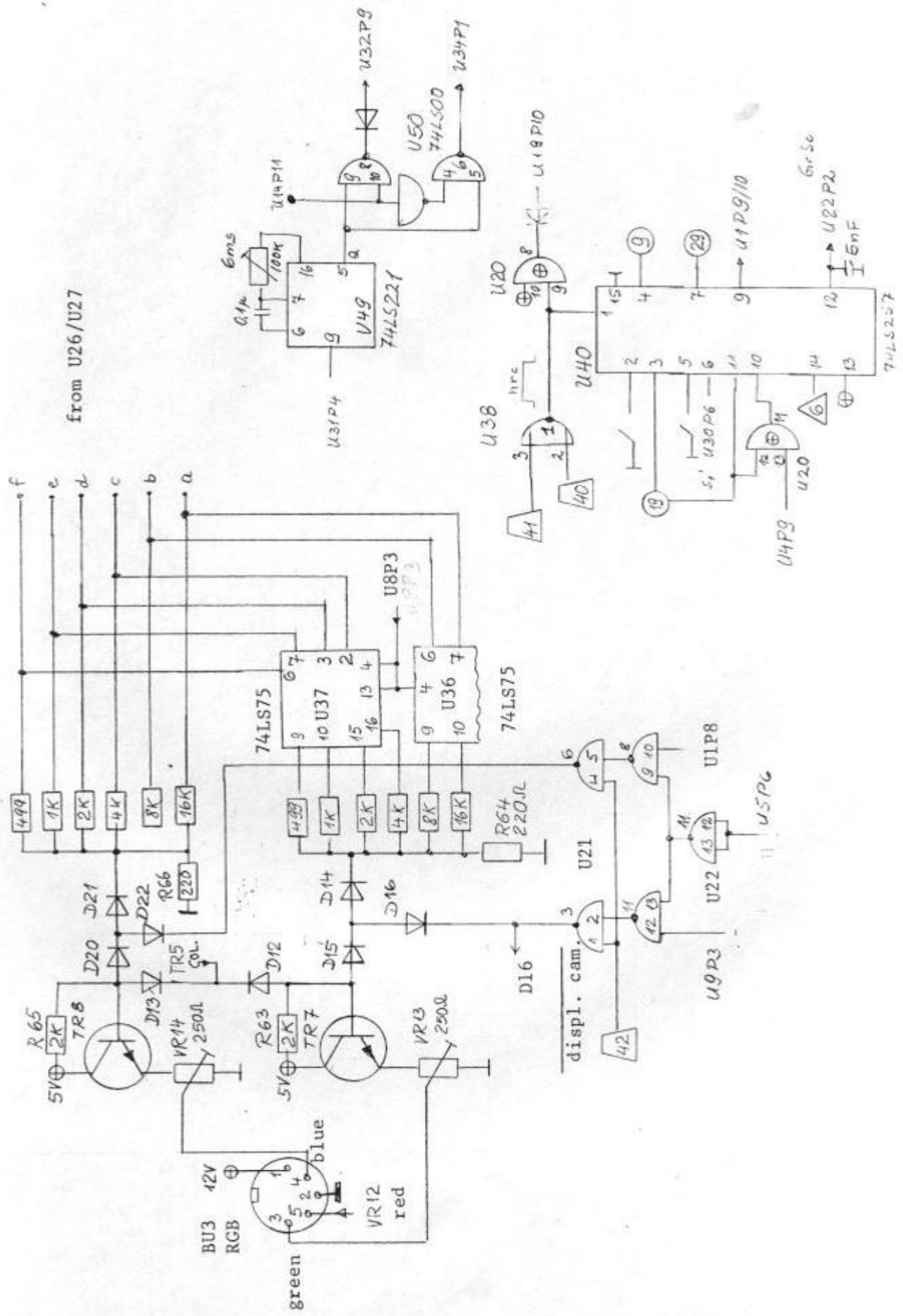


U105		REC.				TRM.			
4	0	0	0	0	0	0	0	0	0
3	1	0	0	1	1	1	1	1	1
2	2	0	1	0	0	0	0	0	0
1	3	0	1	1	1	1	1	1	1
15	4	1	0	0	0	0	0	0	0
14	5	1	0	1	1	1	1	1	1
13	6	1	1	0	0	0	0	0	0
12	7	1	1	1	1	1	1	1	1
Pin	9	10	11						

RX/TX

TAPE

R53 board 72



from U26/U27

6r5c

U22P2

5nF

U19G/10

U4PG

U20

U30P6

U40

U38

U49

U36

U37

U21

U18

U10

U50

U34P1

U4P11

U4P4

U4P1

U4P1

U4P1

U4P1

U4P1

U4P1

U4P1

U4P1

U4P1

U4P1

U4P1

U4P1

U4P1

U4P1

U4P1

U4P1

U4P1

U4P1

U4P1

U4P1

U4P1

U4P1

U4P1

U4P1

U4P1

U4P1

U4P1

U4P1

U4P1

U4P1

U4P1

U4P1

U4P1

U4P1

U4P1

U4P1

U4P1

U4P1

U4P1

U4P1

U4P1

U4P1

U4P1

U4P1

U4P1

U4P1

U4P1

U4P1

U4P1

U4P1

U4P1

U4P1

U4P1

U4P1

U4P1

U4P1

U4P1

U4P1

U4P1

U4P1

U4P1

U4P1

U4P1

U4P1

U4P1

U4P1

U4P1

U4P1

U4P1

U4P1

U4P1

U4P1

U4P1

U4P1

U4P1

U4P1

U4P1

U4P1

U4P1

U4P1

U4P1

U4P1

U4P1

U4P1

U4P1

U4P1

U4P1

U4P1

U4P1

U4P1

U4P1

U4P1

U4P1

U4P1

U4P1

U4P1

U4P1

U4P1

U4P1

U4P1

U4P1

U4P1

U4P1

U4P1

U4P1

U4P1

U4P1

U4P1

U4P1

U4P1

U4P1

U4P1

U4P1

U4P1

U4P1

U4P1

U4P1

U4P1

U4P1

U4P1

U4P1

U4P1

U4P1

U4P1

U4P1

U4P1

U4P1

U4P1

U4P1

U4P1

U4P1

U4P1

U4P1

U4P1

U4P1

U4P1

U4P1

U4P1

U4P1

U4P1

U4P1

U4P1

U4P1

U4P1

U4P1

U4P1

U4P1

U4P1

U4P1

U4P1

U4P1

U4P1

U4P1

U4P1

U4P1

U4P1

U4P1

U4P1

U4P1

U4P1

U4P1

U4P1

U4P1

U4P1

U4P1

U4P1

U4P1

U4P1

U4P1

U4P1

U4P1

U4P1

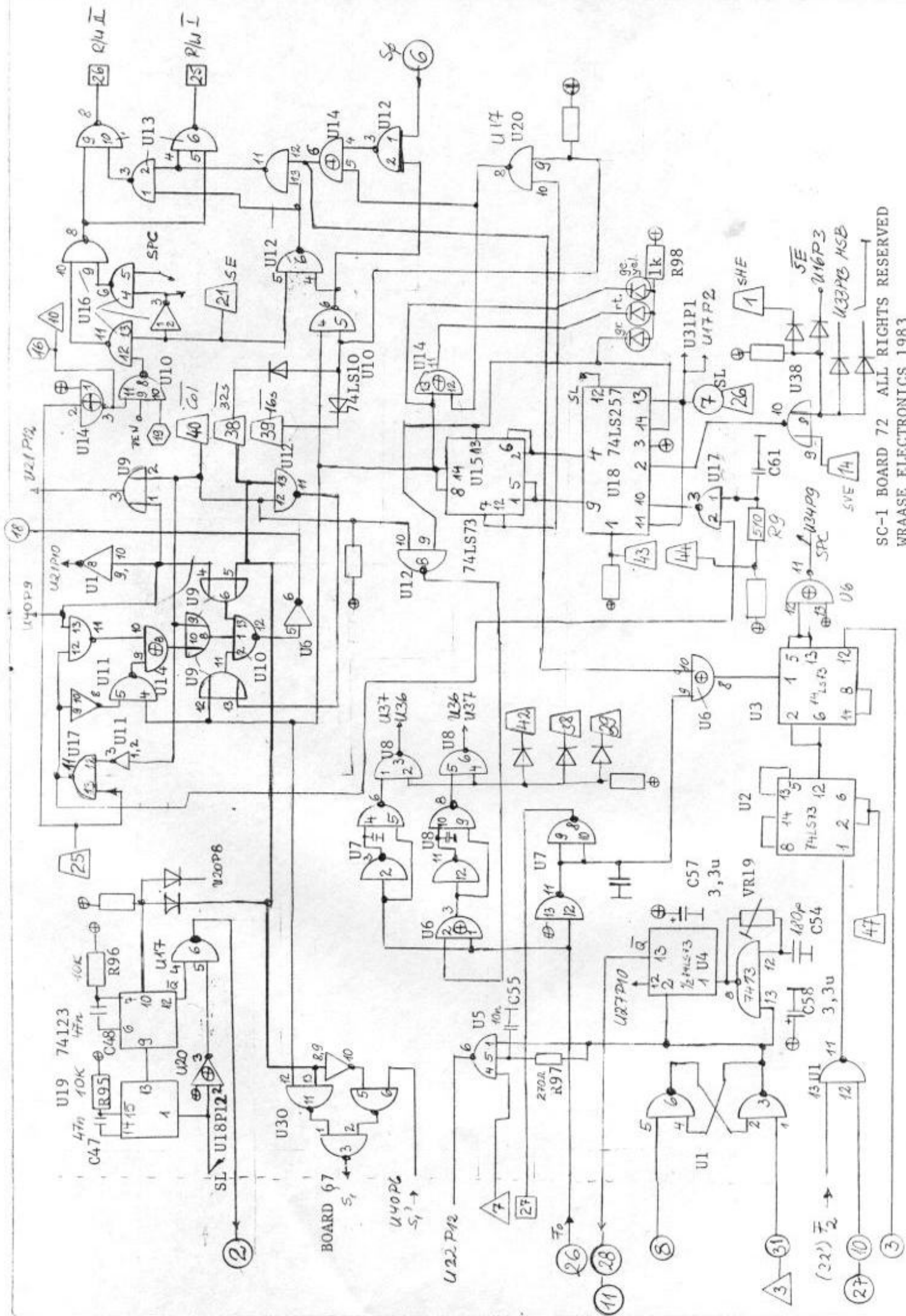
U4P1

U4P1

U4P1

U4P1

U4P1



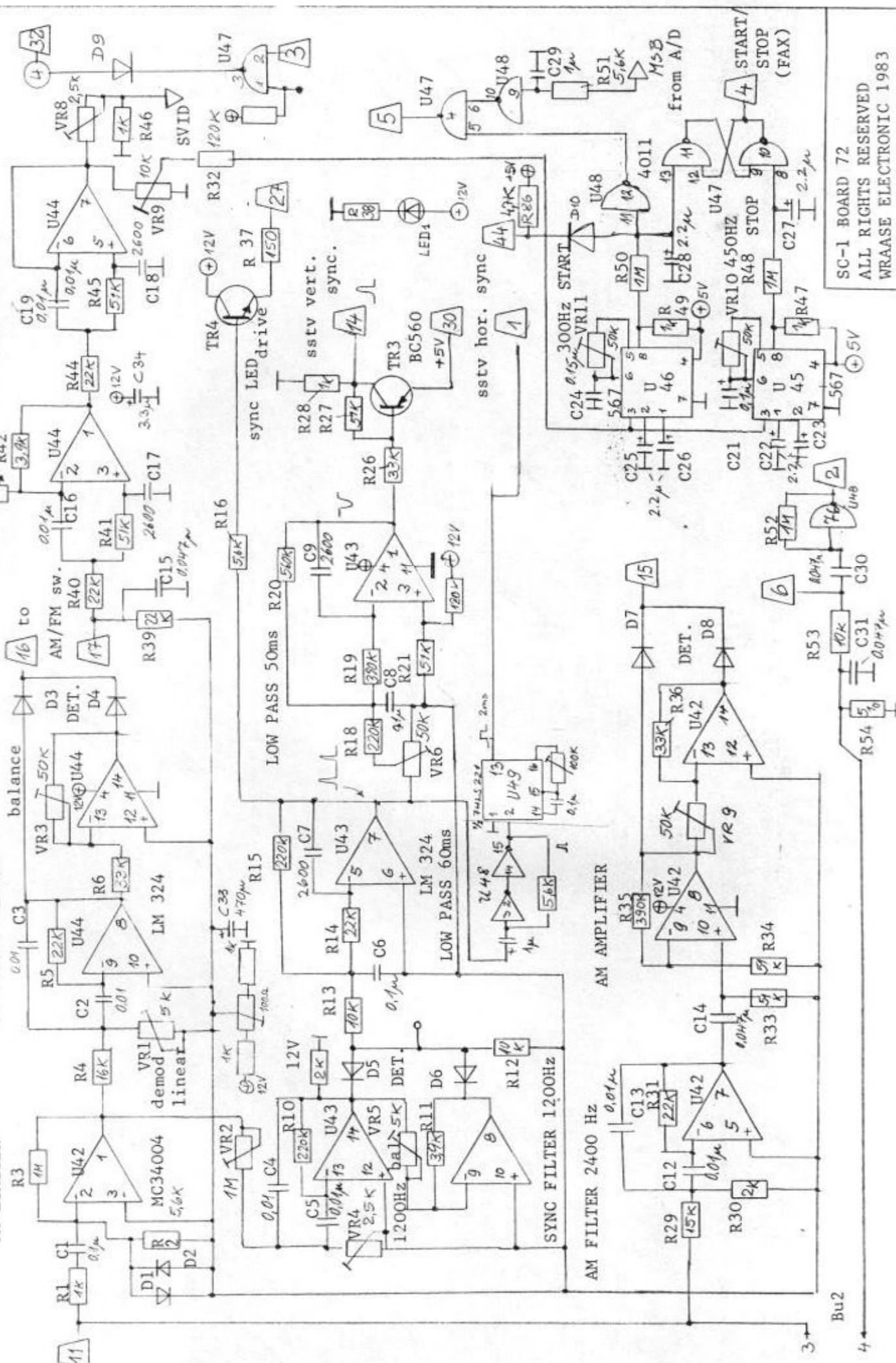
SC-1 BOARD 72 ALL RIGHTS RESERVED
 WRAASE ELECTRONICS 1983

RECEIVE BRIGHTNESS

VIDEO FILTERS

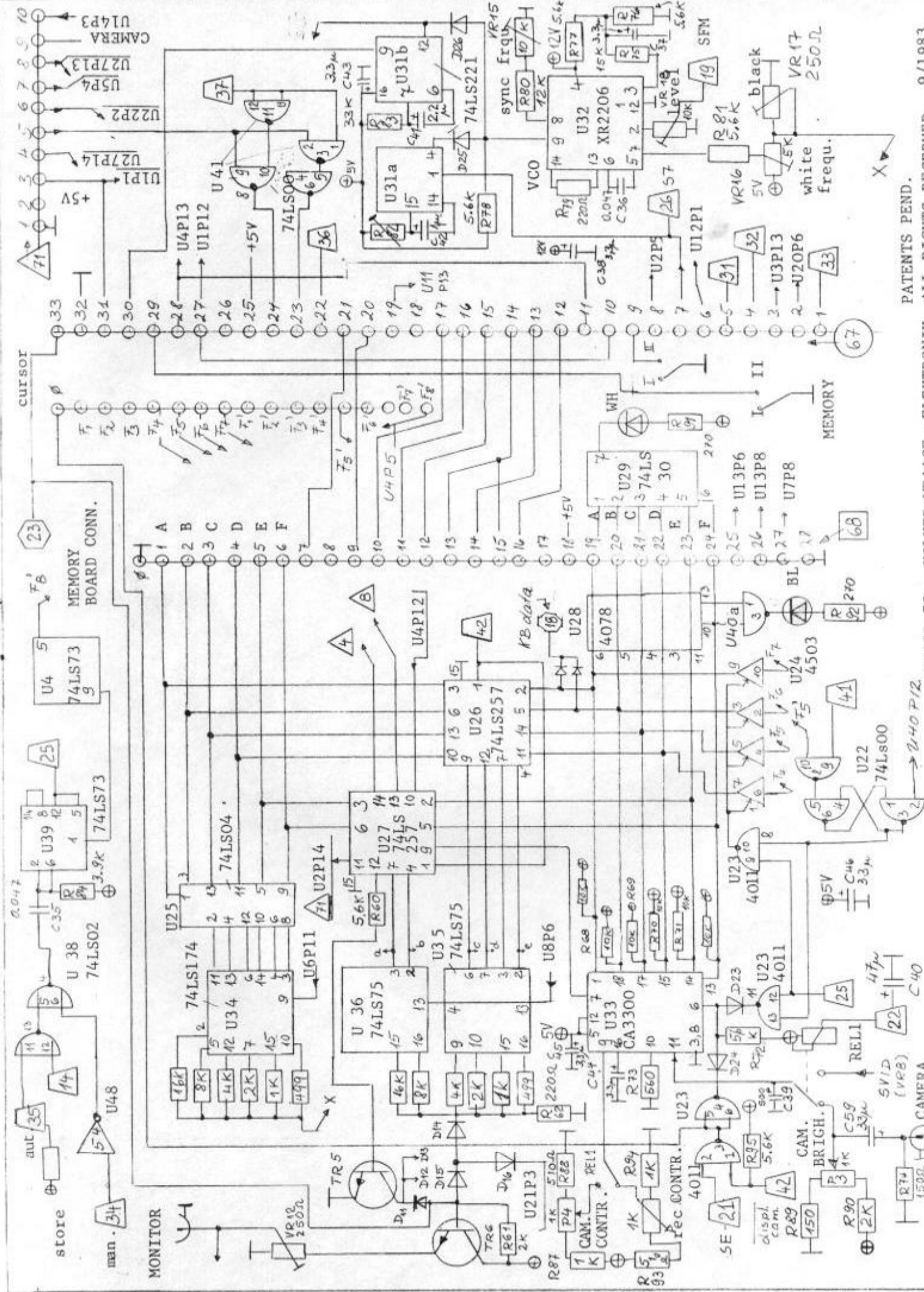
FM-DEMOD.-FILTER

FM-LIMITER



SC-1 BOARD 72
 ALL RIGHTS RESERVED
 WRAASE ELECTRONIC 1983

Bu2



243
P3
8/11

Jumper J1: +12V on pin 1 of RGB-jack

Jumper J2: comp. sync on pin 1 of RGB-jack



COLOUR BALANCE
 VR14 BLUE LEVEL
 VR13 RED LEVEL
 VR12 GREEN LEVEL

U49 74LS227
 U50 74LS500

RX/TX TAPE RGB PEN KEYBRD MONITOR CAMERA



U41 74LS500

U 1 74LS500
 U 2 74LS73
 U 3 74LS73

U 4 74LS73
 U 5 74LS73
 U 6 74LS86

U 7 7400
 U 8 74LS00

U 9 74LS32
 U 10 74LS10
 U 11 74LS00

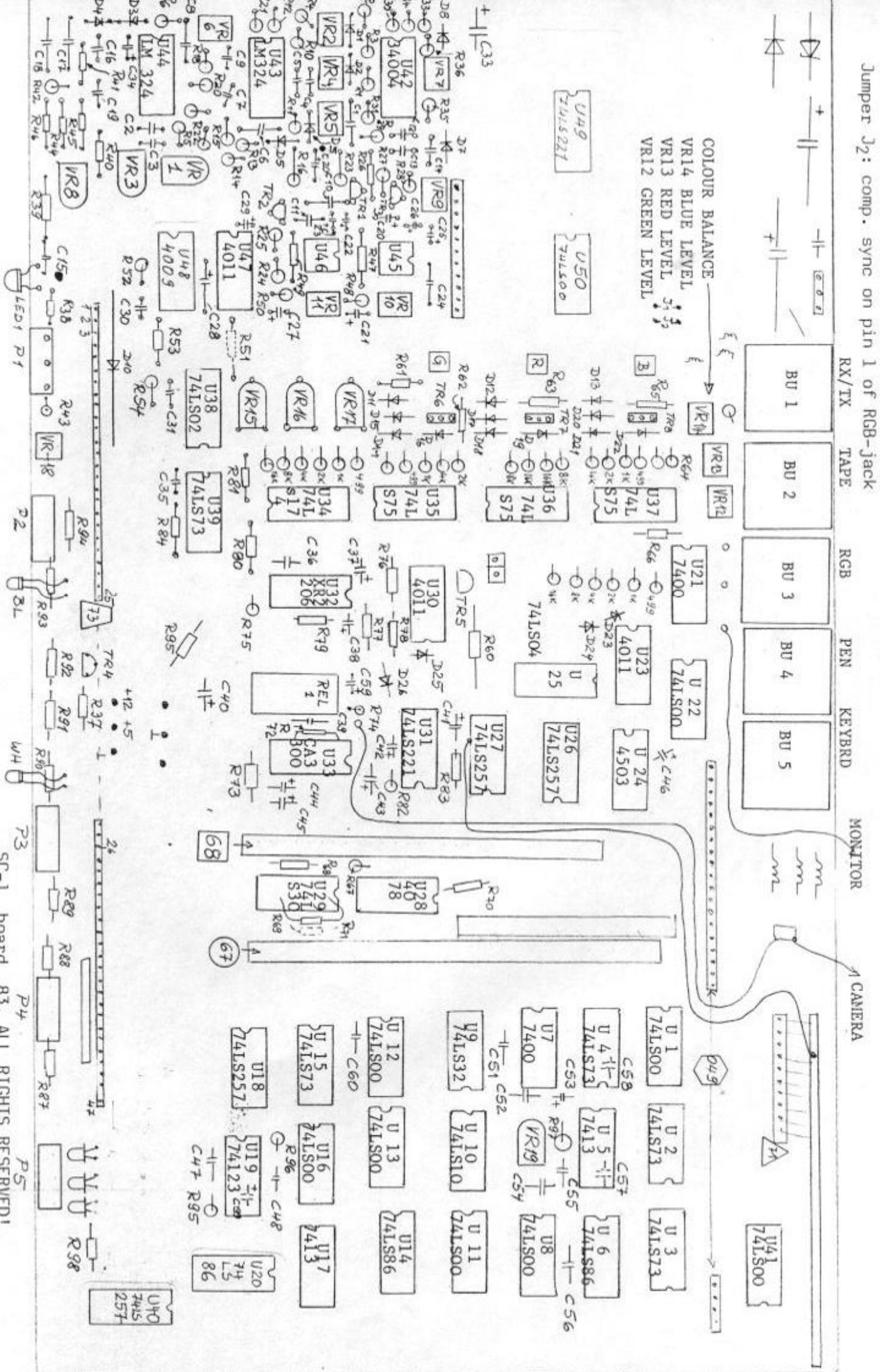
U 12 74LS00
 U 13 74LS00
 U 14 74LS86

U 15 74LS73
 U 16 74LS00
 U 17 7413

U 18 74LS257
 U 19 74123
 U 20 7415

U 28 74178
 U 29 74178
 U 30 74178

U40 7415 257



SC-1 board 83. ALL RIGHTS RESERVED!
 WIRASE ELECTRONICS, REINFELD, W.-GERMANY